

SB



Fig. 1 SB pumps

Product description

The SB pump is a submersible booster pump for the pumping of clean water. It is especially suitable for rainwater applications. The pump is available in two main versions:

- with integrated suction strainer (1 mm/0.04 inch mesh)
- with side inlet which includes a flexible suction hose with floating suction strainer (1 mm/0.04 inch mesh).

In both versions, the pump is available with or without float switch. The float switch can be used for automatic operation or dry-running protection of the pump.

The pump can be identified from the table below:

Pump version	Model
Integrated suction strainer with float switch	A
Integrated suction strainer without float switch	M
Side inlet with float switch	AW
Side inlet without float switch	MW

Features and benefits

Noiseless operation

The SB pump emits no noise when submerged and is therefore a noiseless alternative to non-submersible pumps.

High reliability

The SB pump is built of composite and stainless-steel materials which are resistant to corrosion. Furthermore, the pump has a stainless-steel strainer which prevents large particles from entering the pump housing.

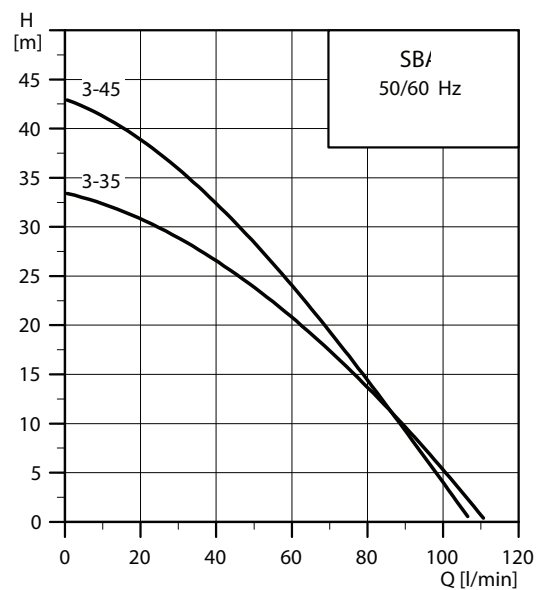
Integrated protection

The pump incorporates thermal overload protection.

Floating suction strainer

The model with floating suction strainer always draws the water from just below the water surface where the water is clean and free from solid particles.

Performance range



Selection guide

General recommendation

If the distance from the tank wall to the pump is above 1.5 metres (4.9 feet), the model with side inlet should be selected.

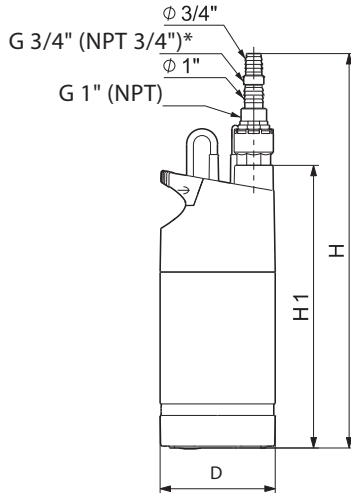
If the distance from the tank wall to the pump is less than 1.5 metres (4.9 feet), the model with suction strainer should be selected.

Pump sizes recommended for the most typical applications:

Application	Recommended pump
One-storey house: For toilet flushing, washing machine, car washing and garden watering	SB 3-35
Two-storey house: For toilet flushing, washing machine, car washing and garden watering	SB 3-45

Dimensions

Model with integrated suction strainer



* NPT thread only applies to 60 Hz models.

Pump type	H		H1		D	
	[mm]	[Inch]	[mm]	[Inch]	[mm]	[Inch]
SB 3-35	536	21.10	390	15.35	150	5.91
SB 3-45	560	22.05	415	16.34	150	5.91

Length of supply cable: 15 meters (49.21 feet)

Max. installation depth: 10 meters (32.81 feet)

Electrical data

Insulation class: IP68.

Enclosure class: B.

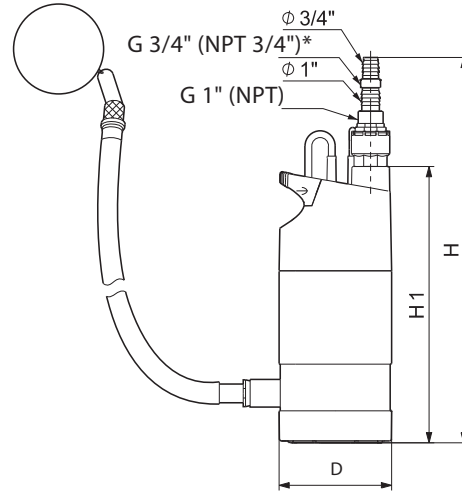
Pump type	Voltage [V]	Frequency [Hz]	P ₁		I _{1/1} [A]	n [min ⁻¹]
			[kW]	[hp]		
SB 3-35	1 x 220 - 240	50	0.80	1.07	3.8	2800
SB 3-45	1 x 220 - 240	50	1.05	1.41	4.8	2800
SB 3-35	1 x 110 - 120	60	0.91	1.22	8.6	3400
SB 3-45	1 x 110 - 120	60	1.07	1.43	9.9	3400

Construction

Component	Material
Cover	Polypropylene (PP30GF)
Impeller	Polypropylene (PPO20GF)
Chamber	Polypropylene (PPO20GF)
Shaft with rotor	Stainless steel (EN 1.4401/AISI 416)
Wetted part of shaft	Stainless steel (EN 1.4301/AISI 304)
Strainer ¹⁾	Stainless steel (EN 1.4301/AISI 304)
Inlet collar ²⁾	Stainless steel (EN 1.4301/AISI 304)

97699316 1013
ECM: 1123591

Model with floating suction strainer



Component	Material
Cable	Neoprene H07RN-F
O-rings	NBR
Pump housing	Polypropylene (PP30GF)
Base	Polypropylene (PP30GF)
Stator housing	Stainless steel (EN 1.4301/AISI 304)

¹⁾ Only fitted on models with integrated suction strainer.

²⁾ Only fitted on models with floating suction strainer.

Approvals and markings

The SB pump has the following approvals and markings:

- GOST (Russia)
- UL/CSA
- C-tick
- CE.

Subject to alterations.

HAMSA Enviro Energy Solution

#184, 7th Cross, 7th Main, Canara Bank Layout,
Virupaksha Pura,
Bangalore - 560 097,
Karnataka, India.
Phone: +91 80 2364 2563, 80 2364 4569
Mobile: +91 94487 46768, 98860 95364



TM04 6243 5109 - TM04 6928 1210

Grundfos Holding A/S

© Copyright Gr

The name Grundfos, the Grundfos logo, and be think innovate are registered trademarks owned by Grundfos Holding A/S or Grundfos A/S, Denmark. All rights reserved worldwide.