

Home Booster Circulator UPA 15-90



General

The UPA 15-90 is a circulator pump designed for pressure boosting of potable water and domestic hot water. The pump provides additional pressure to showers, taps and similar outlet points.

The UPA 15-90 is for use in open systems.

Approval from the local water company must be obtained if the pump is to be connected directly to the water main.

The pump incorporates a flow switch which starts or stops the pump when a tap is turned on or off.

The pump is supplied with a 1.5 metre flying lead.

Features

- Typically adds between 0.5 bar and 0.75 bar pressure to the existing inlet pressure.
- Stainless steel encapsulated rotor.
- Stainless steel rotor can and bearing plate.
- Pump can be set to "MANUAL", "AUTO" or "OFF".
- Flow rates up to 1.4 m³/h (5.2 gpm).

Pumped liquids

- Fresh water
- Potable water without chemical additives
- Chlorinated potable water.

The pump must not be used for the transfer of flammable liquids such as diesel oil and petrol.

Operating conditions

Ambient and liquid temperatures

Standard pumps	Max. [°C]	Min. [°C]
Liquid temperature	70	2
Ambient temperature	40	2

Operating pressure

Maximum 6 bar.

Inlet pressure

To avoid cavitation noise and risk of damage to the pump bearings, a pressure of minimum 2.0 metres head / 0.2 bar is required at the pump suction port during operation.

Pump location

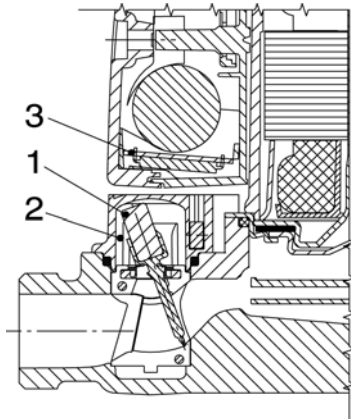
The pump is designed for installation in a non-aggressive environment and non-explosive atmosphere.

Relative humidity: Maximum 95%.

Flow switch

The flow switch consists of an arm fitted with a magnet (1) moving in a chamber (2). The chamber is separated from the pumped liquid and the terminal box.

The magnetic field activates a magnetic contact (3) in the terminal box.



TM03 8650 2107

The pump selector can be set to the positions OFF, AUTO and MANUAL.

Selector positions

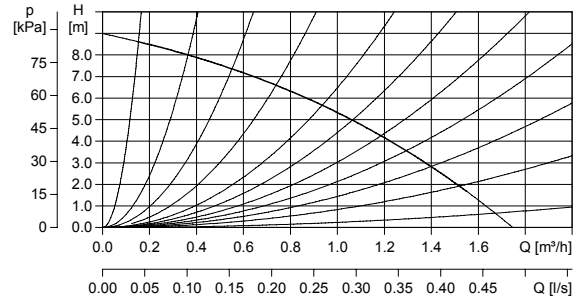
Selector positions	The pump ...
I OFF	is switched off.
II AUTO	starts and stops automatically (when the flow exceeds or falls below 90-120 l/h).
III MANUAL*	runs continuously (also if taps are turned off).

* When the selector is in position MANUAL, at least one tap must be open. Otherwise the pumped liquid may overheat.

Product specification

Type:	UPA 15-90
Pump housing:	Cast iron Electro-coated
Connection:	3/4" BSPM
Inclusive fittings:	1/2" BSPF union set
Port-to-port length:	160 mm
Voltage:	1 x 230 V
Frequency:	50 Hz
Product number:	59539510

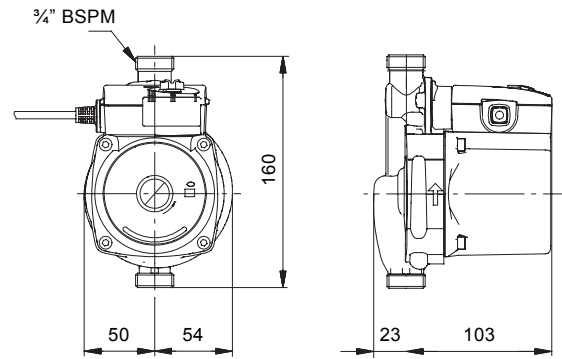
Performance range



TM01 6893 3699

Dimensions and weights

All dimensions are in mm.



1/2" BSPF unions supplied as standard.

TM03 8651 2107

Model	Weight [kg]	
	Net	Gross
UPA 15-90	2.5	2.7

Electrical data

(1 x 230 V, 50 Hz)

Model	Input power [W]		Full-load current [A]
	Min.	Max.	
UPA 15-90	118	40	0.48

96746743 0507 GB

Subject to alterations.